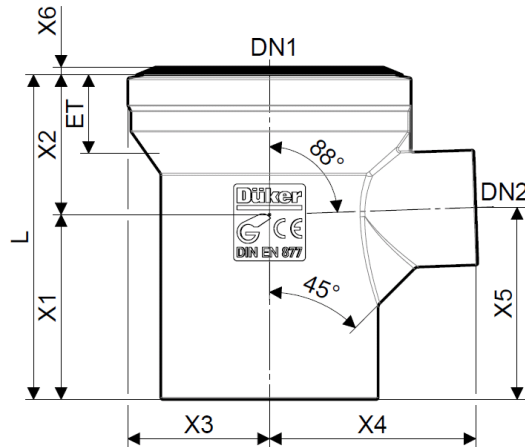


Branch with Short Socket

The problem solver for floor level showers, shower channels and floor drains



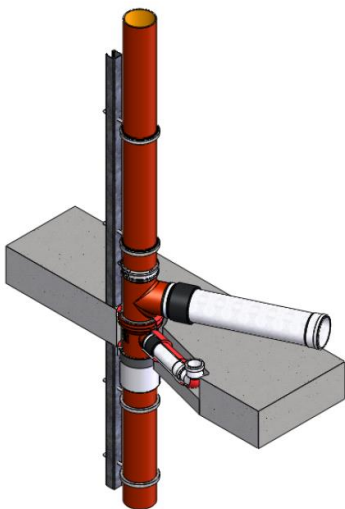
DN1	DN2	L	insertion length ET	X1	X2	X3	X4	X5	X6	weight kg	item no.
100	50	165	40	94	71	72	105	98	4	2,0	300727

all dimensions in mm · supplied including EPDM sealing

Installation

Apply suitable lubricant to the rubber seal, push in pipe spigot or fitting. On cut pipes break sharp edges before pushing in, chamfering is not required.

Fire protection



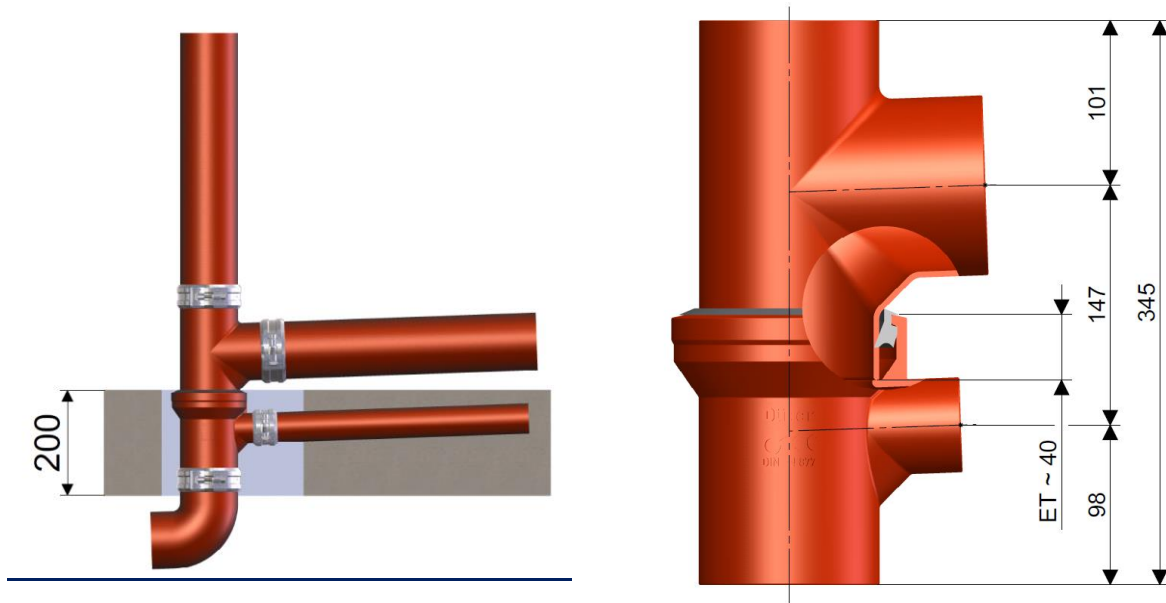
Approved fire protection solution EI 90/120

Installation with Düker Fire Protection Coupling BSV 90:

- mixed installation or pure cast iron installation
- ceiling thickness min. 150 mm
- below the horizontal connection line in the ceiling, min. 60 mm of the ceiling must remain. Fill in cement mortar after installation
- both connection lines in the same direction or offset
- distance between the drain/shower channel or similar to the down pipe: min. 20 cm
- installation of the BSV 90 as per German approval abZ DIBt Z-19.17-1893
- tested for EI 120; existing classification report for the BSV 90: EI 90

The test has been passed, a German approval has been applied for.

Installation example



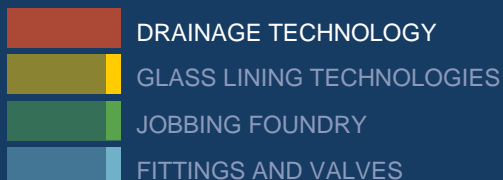
Advantages

- Approved for building drainage: fitting as per EN 877, with CE marking and Declaration of Performance as per CPR.
- Approval for fire-rated ceilings: test passed for EI 120 with Düker fire protection coupling BSV 90.
- Can be installed with cast iron or plastic connecting lines.
- Connecting line above the ceiling can be installed very low.
- Connection in the ceiling can be positioned optimally for a sufficient descent within the ceiling.
- The branch above the ceiling can be offset to the branch in the ceiling

Specifying text

Düker cast iron fitting SML branch with short socket and gasket 88 deg. DN 100x50 with 45° access angle for the connection of floor drains and shower channels to the down pipe within the ceiling.

Available from January 2016!



Düker GmbH & Co. KGaA
 Würzburger Straße 10-16
 D-97753 Karlstadt/Main
 Telefon +49 9353 791-570
 Telefax +49 9353 791-8570
 Internet: www.dueker.de
 E-Mail: sales.drainage-tech@dueker.de